



# Vansant 3

## 72" x 42" Drop-In Acrylic Soaking Tub

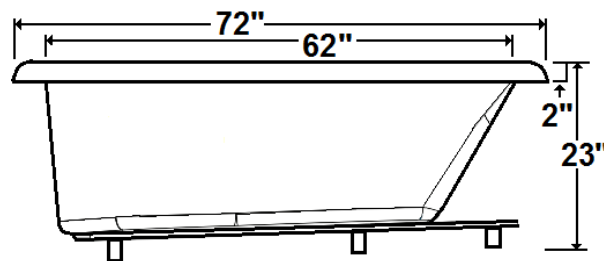
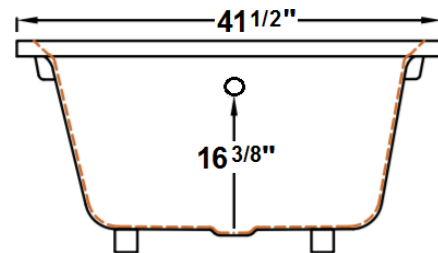
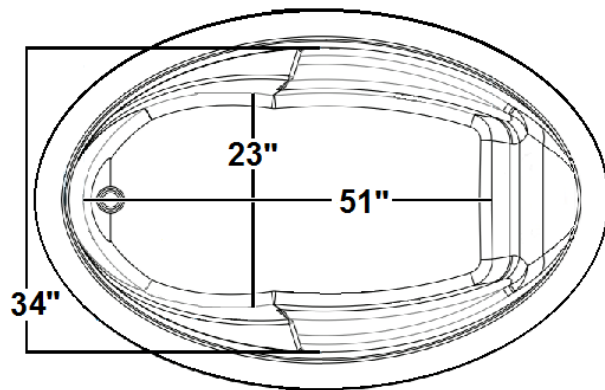
Model Number  
**7242VT064**  
Drop-In Soaker in White

### Features

- Constructed of high-gloss durable acrylic
- Pillow included
- Pre-leveled base for easy installation
- Textured floor
- Heater available – LM305
- Mood light available – LM522
- Made in the USA



**\*All dimensions are +/- 1/2" and subject to change without notice\***  
**Confirm specifications before installation**



### Technical Information

- Weight: 93 lbs.
- Water Depth to Overflow: 16 3/8"
- Water Capacity: 85 gal.
- Sump Dimension: 51" x 23"

### Electrical Requirements.

- (Optional) LM305 Heater: 12.5 Amps
- Dedicated GFCI's required for each option

# Vasant 3

**7242VT064**  
Drop-In Soaker in White

## Acrylic Soaking Tub

This Traditional style drop in tub includes a sloped backrest, integral arm rests and removable pillow. Other standard features include a textured floor, and premium reinforcement. This tub is made in the USA and is available in white and biscuit.

Laurel Mountain enables you to enhance your bathing experience by offering a broad range of options to customize your bath. The options available on this bath are shown below.

## AVAILABLE OPTIONS & UPGRADES

For Pricing, visit the “Help” page at [www.laurelmountainwhirlpools.com](http://www.laurelmountainwhirlpools.com). Download the Price book. For pictures and descriptions of options, go to [www.laurelmountainwhirlpools.com](http://www.laurelmountainwhirlpools.com) and click “options” tab found at the bottom of the website.

### Therapeutic

**LM305 12.5 Amp Water Heater (120V)**

**LM522 Chromatherapy**

### Accessories

#### **CABLE OPERATED DRAINS**

LM200 Chrome

LM201 Brushed Nickel

LM202 Bronze

LM210 White

LM211 Biscuit

## INSTALLATION

Install this unit according to the Owner’s Manual. The Owner’s manual can be found by visiting the “Help” page at [www.laurelmountainwhirlpools.com](http://www.laurelmountainwhirlpools.com). Select “Installation” on the right side of the page. Then click on the “Colony Owner’s Manual”.